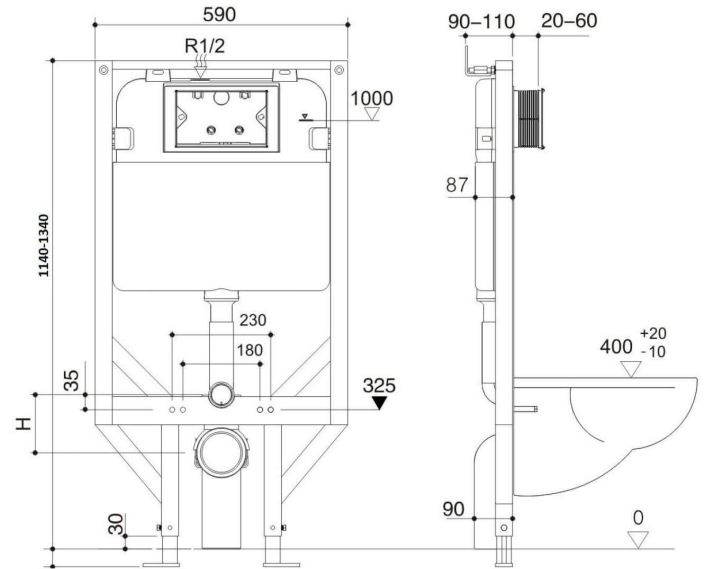




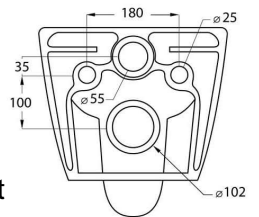
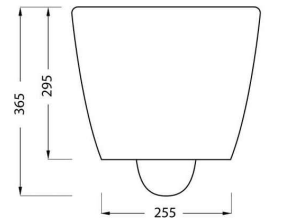
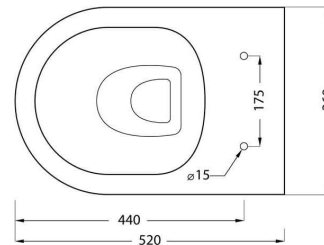
Package - Narva Rimless Wall Hung Pan & Seat + In-wall Cistern + Flush Plate

Code: NA3WPA



Specifications

- Finish: Gloss White Ceramic
- Seat: Quick release, soft close, duroplast.
- P trap only
- Only 90mm thick cavity required
- Mechanical flush
- Adjustable flush pipe with key seal included
- Flush plate included - 6 different options
- WELS rating: 4 Star (4.5/3L) (R:L03047)
- Watermark Approved to Australian Standards



Product Options

NA3WPA-N: Narva Rimless Wall Pan and Inwall Cistern and Button Package with THIN Seat

NA3WPA-K: Narva Rimless Wall Pan and Inwall Cistern and Button Package with THICK Seat

Warranty

15 Years