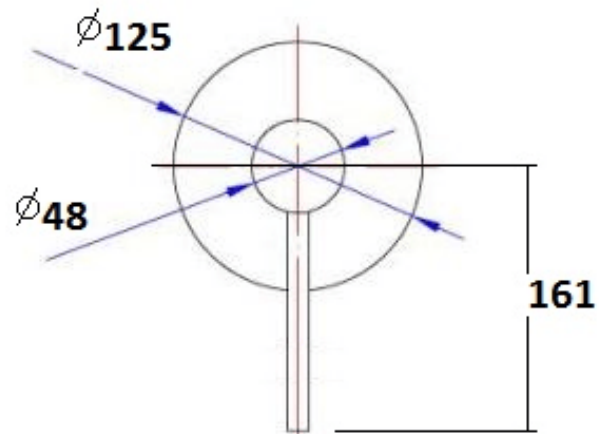
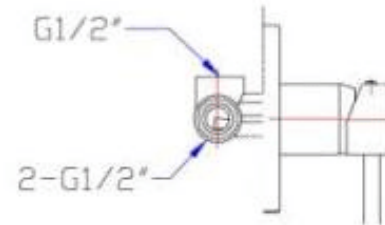


Terni Care Wall Mixer

Code: TEC104WM



Specifications

- Finish: Chrome on Brass
- Cartridge: 40mm Ceramic disc
- Watermark approved
- Includes extended lever handle for care facilities or those with restricted movement

Warranty

5 Years